

L624-A13.15	<b>To:</b> Official After Sales Network <b>Subject:</b> Fuel filler hose replacement. <b>Date:</b> 09/18 <sup>th</sup> /2015 <b>Pages:</b> 7	
-------------	---	---

**Subject**  
Fuel filler hose replacement.

**Model**  
All Lamborghini Huracán MY 2015 until VIN FLA00184.

**Warning:** some vehicles included in this VIN range may not be involved, so check carefully on the Lamborghini WEB Portal (at the section named VIN Info) if the cars in your workshop or in your dealer stock are involved before performing any other operation.

**Information to the field**

As a result of continuous product monitoring, Automobili Lamborghini Spa has improved the refuelling procedure that on some cars may result longer than the usual time due to a possible hose torsion causing fuel flow reduction.

**Field solution**

Replace old fuel filler tube with a new type.

**Spare Parts**

P/N	Description	Q
4T8298200	Fuel filler Hose kit: - Refuelling hose - Screw clamps	1 2

**Replaced parts management.**

Store replaced parts properly, and tag them with bar code for accurate identification during Area Manager visits.

**Necessary material.**

Fine sandpaper P100 Kind.

**Warranty Claim data**

The warranty reimbursement request for this rework action will be managed by the following Warranty Claim procedure standards.

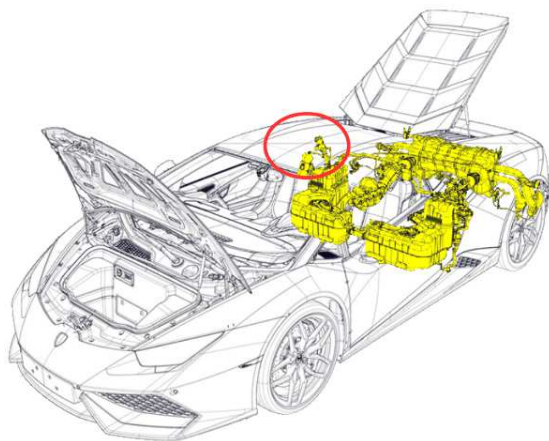
**Campaign Code:** L624-A13.15  
**Campaign Des.:** Fuel filler hose replacement  
**Cost code:** 50  
**Component code:** CCA1315  
**Trouble code:** 220  
**Labor code:** CCA13100  
**Labor Time:** 3 h

Remember to fill all data in the section “Service and Recall Campaign” in the vehicle Warranty booklet as shown below.

Rev.01	<p>The information and procedures published below are strictly confidential and intended exclusively for authorized operators and individuals. All copyrights are the property of Automobili Lamborghini S.p.A based on copyright law. The company reserves the right to make updates and modifications. The reprinting, reproduction, forwarding to unauthorized people and/or to third parties and partial or entire translation thereof are prohibited without written authorization from Automobili Lamborghini S.p.A.</p> <p style="text-align: right;">doc. nr: L/V6_M06 Rev.[02]</p>	1/7
--------	---	-----



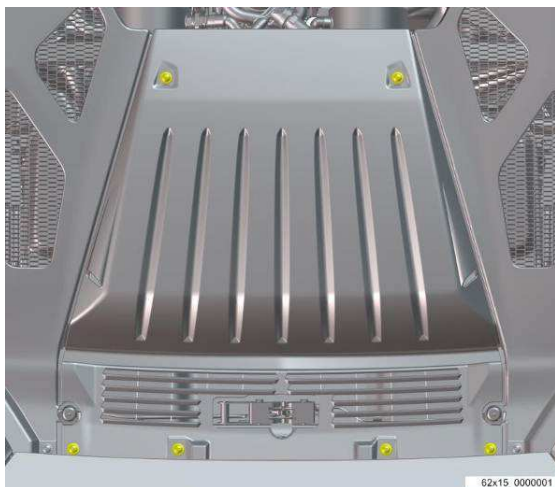
### A. WORKING AREA IDENTIFICATION:



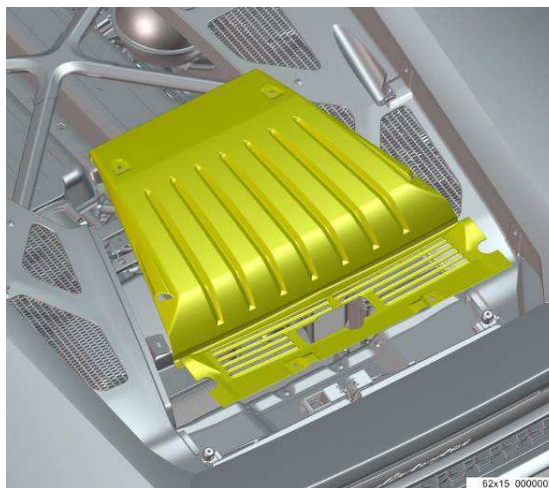
### B. PRELIMINARIES:

1. Engine bay rear cover disassembly .

Remove the 6 fixing screws.



Remove the rear cover.



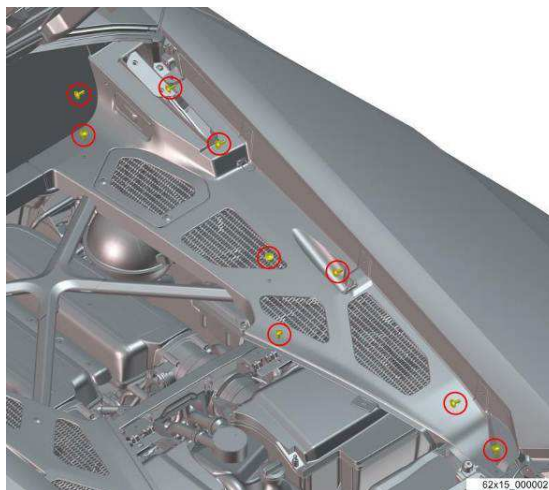
2. Right engine side cover disassembly.



#### **WARNING!**

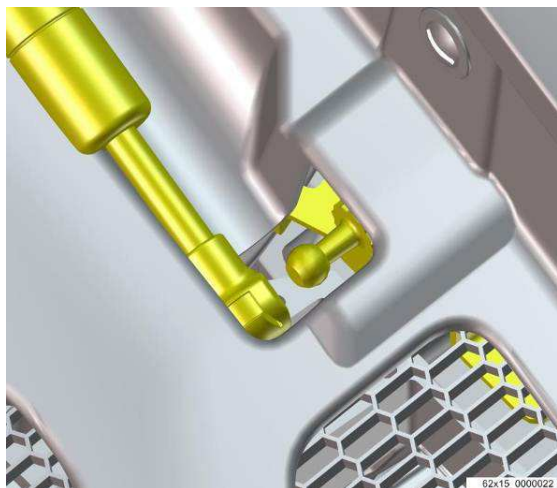
Set one or more rests **to prevent the engine hood from falling down** and therefore causing damages to people and things.

Remove the 9 fixing fasteners.

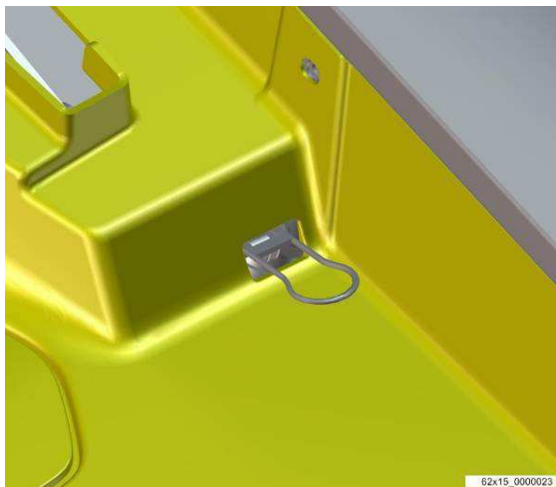




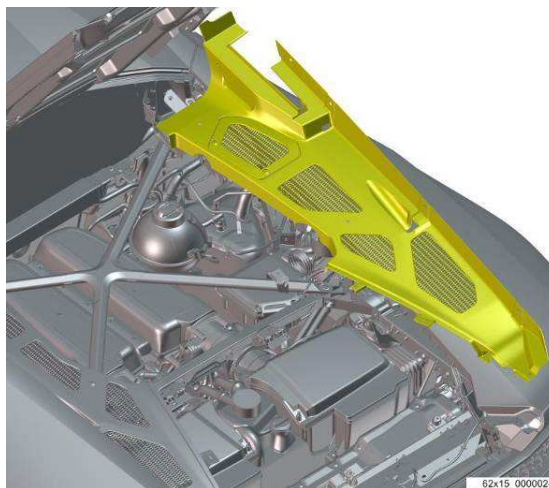
Detach the gas spring from the engine hood.



Extract the Emergency fuel flap release cable.



Remove the right side cover.



3. Fuel filler neck removal.



**ATTENTION!**

**Disconnect the battery** before starting any other operations.-  
 (Please refer always to the repair manual of Huracan, chapter:  
 "09 Electrical system / 15 Battery / Battery / Removal / Reinstallation").



**ATTENTION!**

**Explosion hazard** due to cellular phone!  
 Ensure that in **the nearby there are no cell phones or other electrical devices!**



**ATTENTION**

**Fire hazard:** do not work in the presence of open flames or tools that may ignite fires..  
**Keep a fire extinguisher close at hand.**



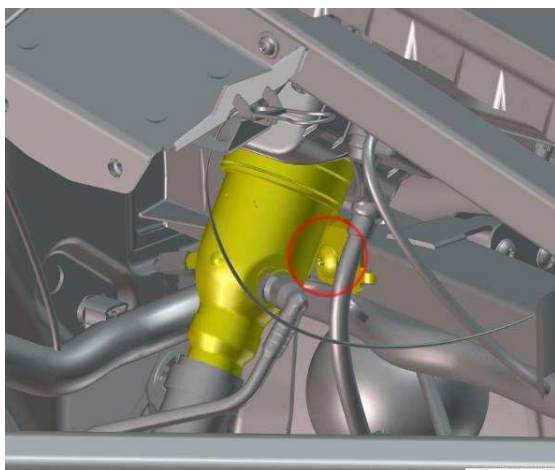


**Remark!**

work in a well-ventilated ambient free from electromagnetic discharge equipped with fire prevention system.

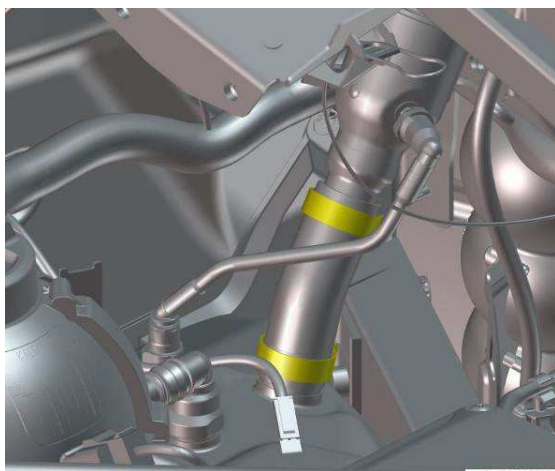
Remove the screw that secure the filler neck.

Screw tightening;  
 torque: **23 Nm**



Remove the 2 clamps.

Clamp tightening;  
 torque: **3 Nm**



**Remark for reassembly.**

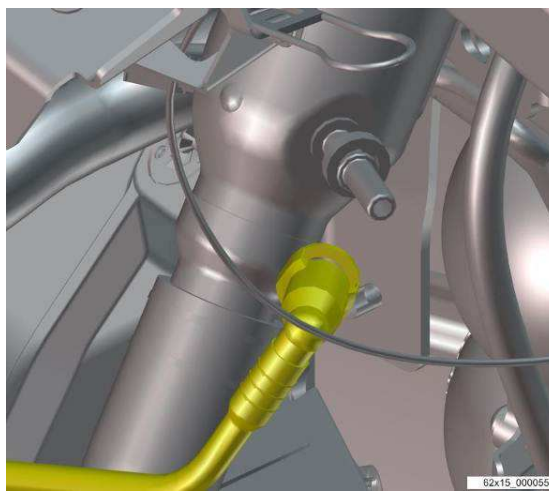


**ATTENTION!**

During the reassembly phases take care of the following points:

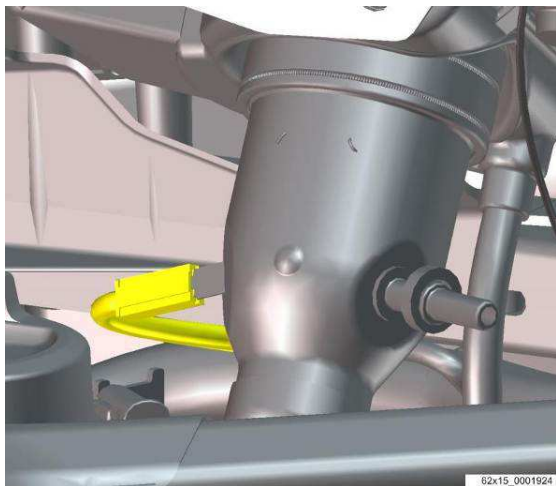
- 1) Tighten the calmps
- 2) **Before tightening the clamps it is necessary that the screw that fixes the filler neck has been torqued in order to avoid hose torsion that might tear it.**
- 3) Replace always the clamps with those included in the kit.

Disconnect the breather pipe from the fuel filler neck.





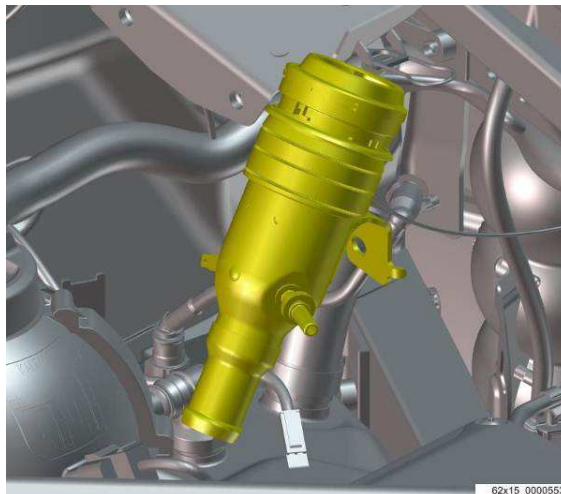
Disconnect the ground harness from the filler neck.



**ATTENTION**

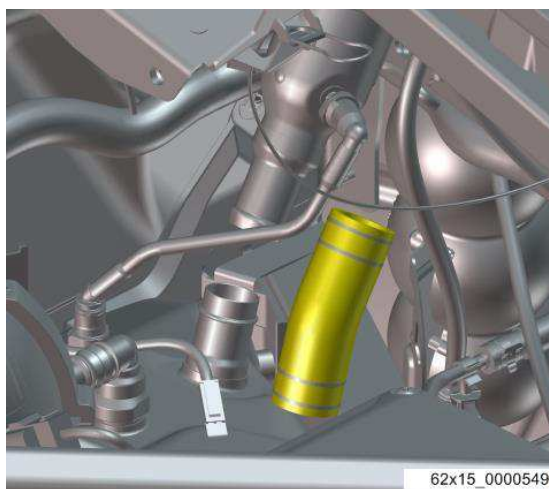
**Explosion hazard** due to the possible presence of electrostatic charge. Once the reassembly has been carried out **check with an Ohmmeter** the electrical connection between the filler neck metal ring and an uncoated surface of the bodywork (ground point). The nominal value read **must be near to 0 Ω**.

Remove the filler neck from the filler hose.



4. Filler hose Removal.

Extract the filler hose from the tank.





### C. REWORK PROCEDURE:

It is necessary to smooth the edges of the union pipe on the tank. Use sandpaper P100 type.

5. Occlusion of filler tube inlet connection on fuel tank .

Occlude the hose connection on the fuel tank with paper for workshop to avoid the drop of rework residues inside the tank.



#### **ATTENTION!**

Do not drop the material used as plug inside the tank.

6. Rework of connection pipe on fuel tank..

Smooth with sandpaper (P100) the edges of the fuel inlet connection pipe.



7. Cleaning of rework areas.

Blow compressed air on the rework surfaces to remove rework residues.



#### **ATTENTION**

Do not blow air inside the inlet connection pipe. **Avoid the accidental fall of the material employed as plug.**



8. Plug removal.

Extract the plug from the inlet connection pipe.



**ATTENZIONE**

Do not let the material ,which the plug has been made of, drop inside the tank\_

**D. LAST OPERATION:**

9. New filler hose installation

Insert the new filler hose and the 2clamps **without tightening** following in reverse order the instructions detailed at the step 3; **read carefully the remark and precautions for t reassembly .**



10. Reassembly termination.

Reassembly the vehicle following in reverse order the instructions detailed from step 2 to 1 .